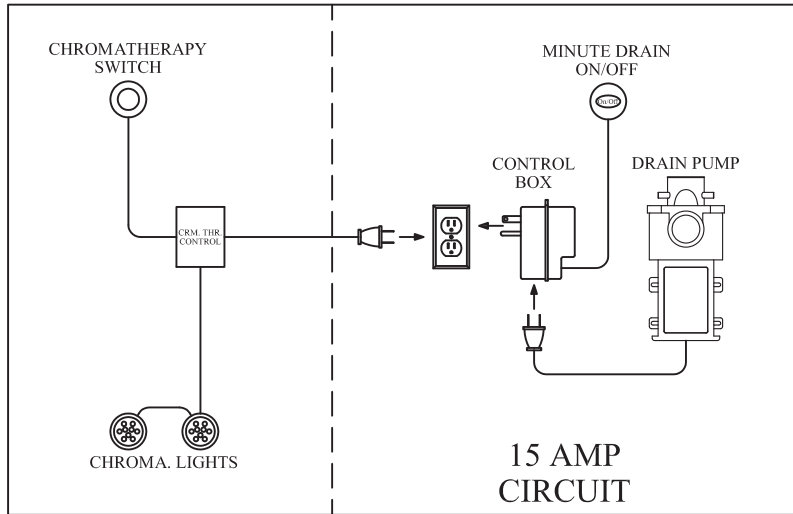


SOAKER

CHROMATHERAPY

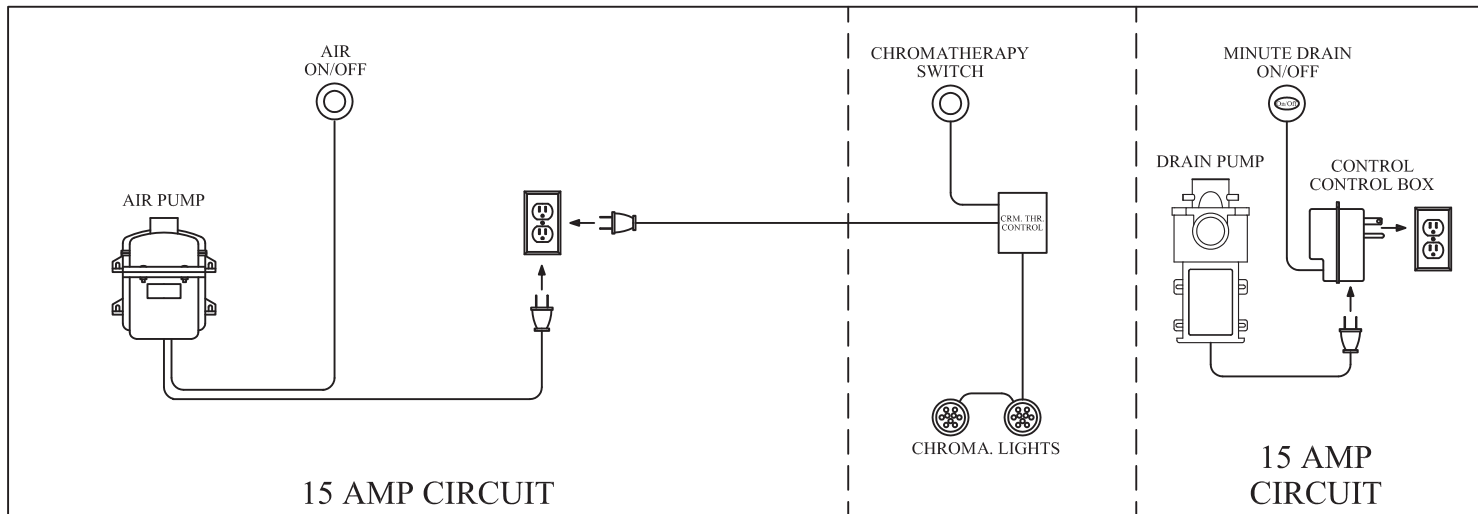
MINUTE DRAIN



AIR

CHROMATHERAPY

MINUTE DRAIN

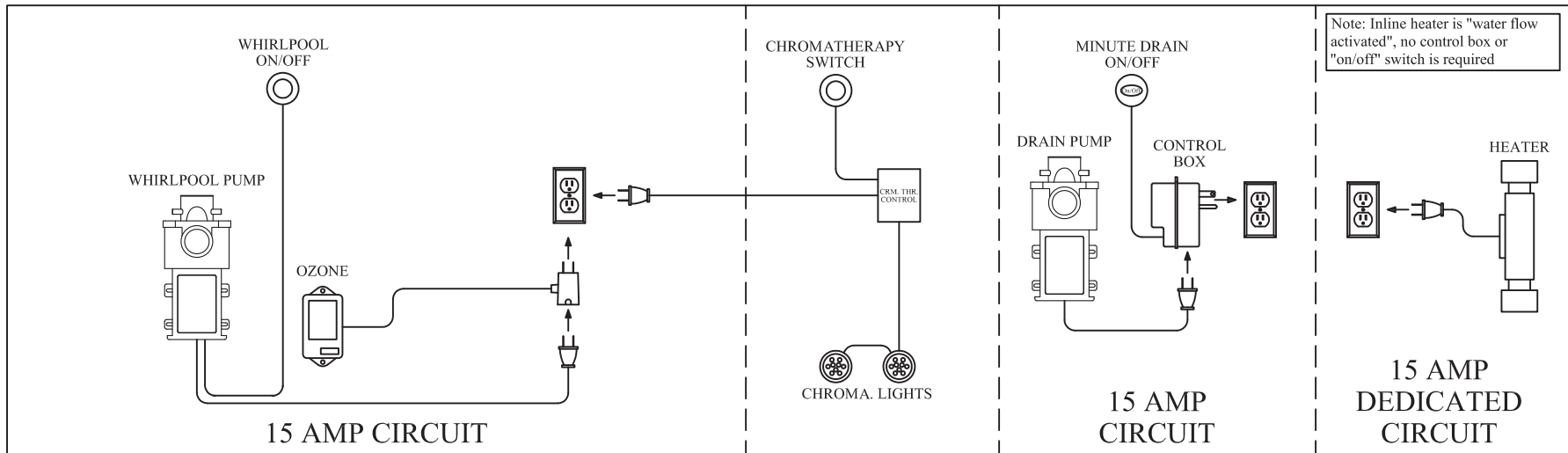


Note: All electrical connections should be made by a licensed electrician. All circuits must be 110 – 120 volts with 12 gauge, three conductor cable from the main electrical panel box and each protected with a Ground Fault Circuit Interrupter (GFCI) of a rating indicated for the application.

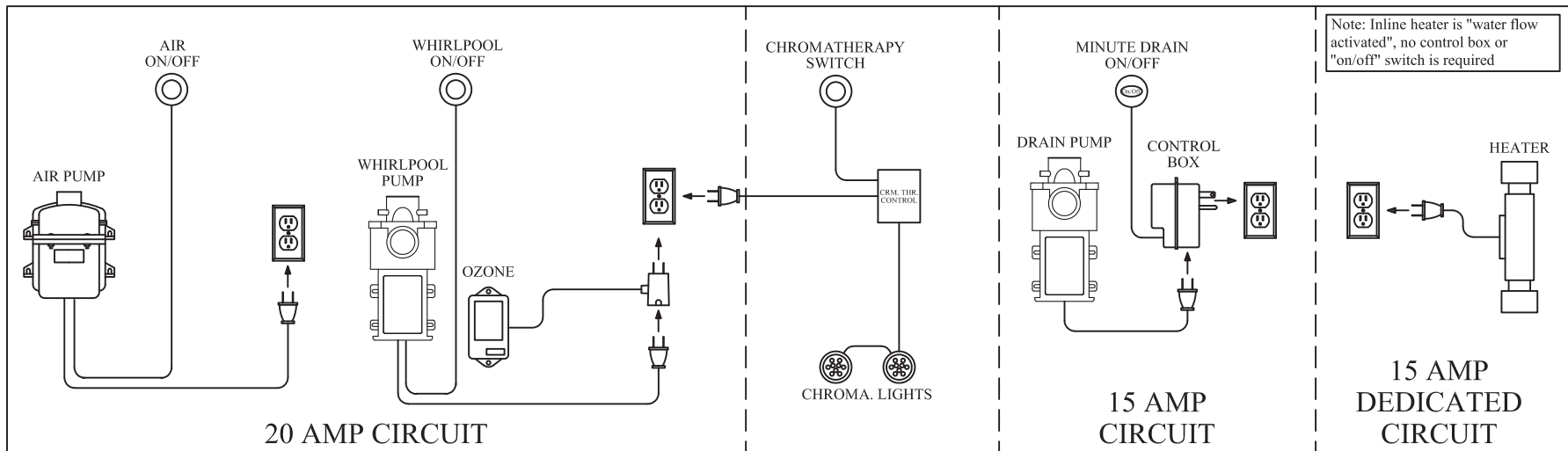
©2009 Safety Tubs

US0709

WHIRLPOOL



Dual



Note: All electrical connections should be made by a licensed electrician. All circuits must be 110 - 120 volts with 12 gauge, three conductor cable from the main electrical panel box and each protected with a Ground Fault Circuit Interrupter (GFCI) of a rating indicated for the application.

©2009 Safety Tubs

US0709