

Part Number	Description
A	Skirt
B	Top Panel
C	Sheet Metal Screw
D	Self tapping screws

Step 1

- Measure tub to Wall dimension
- Take Skirt (A) and Top Panel (B) and mark dimension measured.
- Trace a line with a pencil and add tape along the inside of the line
- Cut using a high speed blade from the acrylic side of each piece to fit opening.
- Refer to Figure # 1.

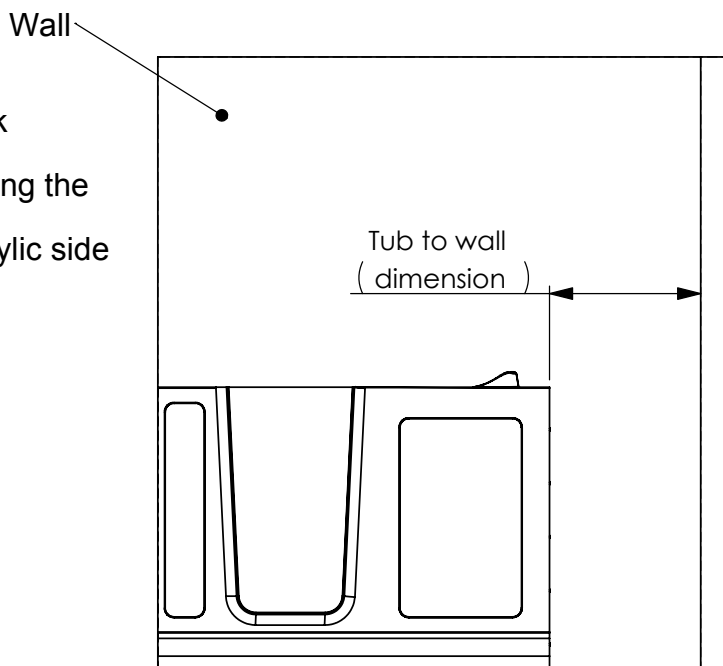


Figure # 1

Step 2

- Once Skirt (A) and Top Panel (B) have been cut to desired size, Skirt (A) can be attached to the Tub by using Sheet Metal Screw (C) provided through Skirt (A) pre drilled holes.
- Refer to Figure # 2.

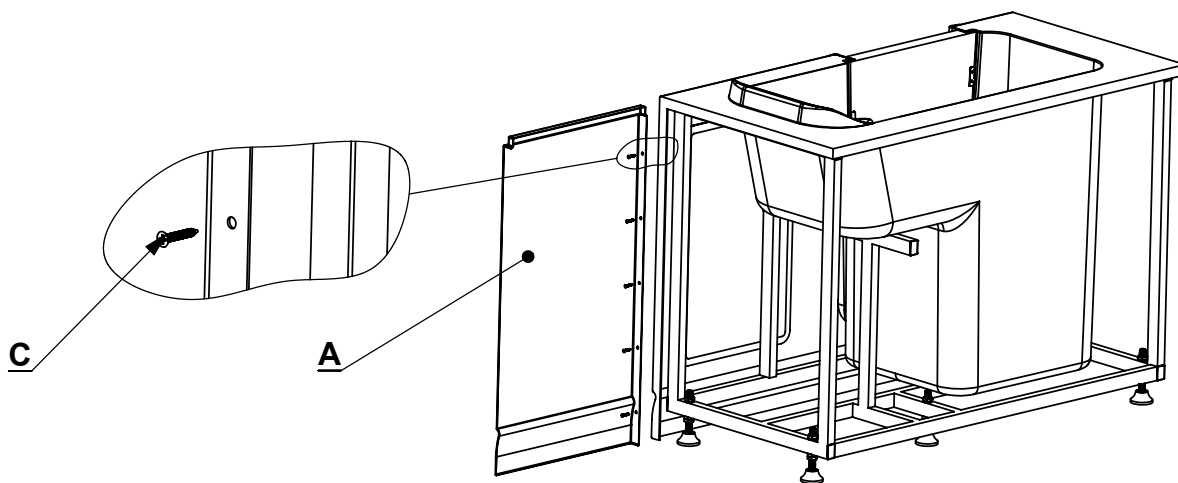


Figure # 2

Step 3

- Following the same procedure Top Panel (B) can be attached using Self Tapping Screws (D) through Top Panel (B) pre drilled holes.
- Refer to Figure # 3

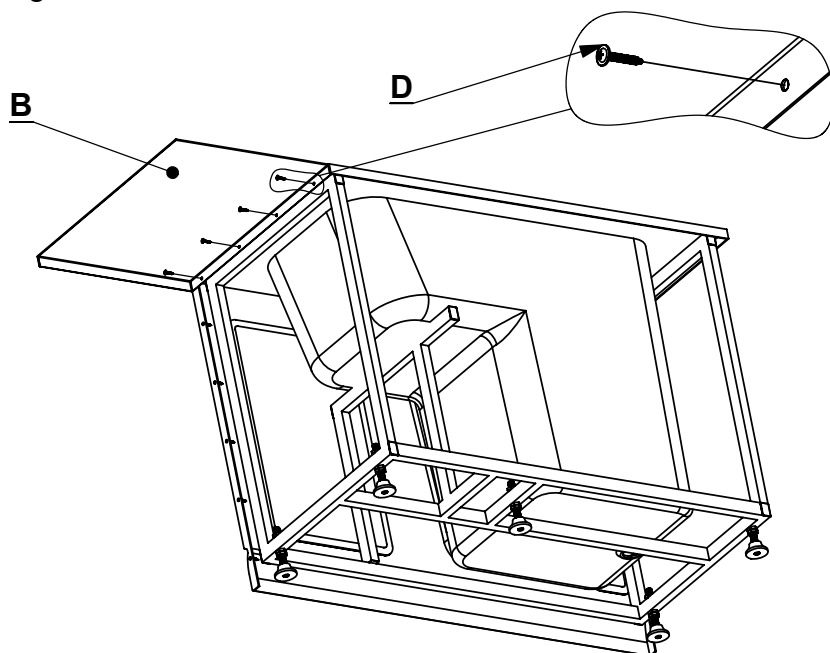


Figure # 3

Step 4

- In order to securely attach Skirt (A) and Top Panel (B) to the wall, wood stringers need to be added.
- Refer to Figure # 4

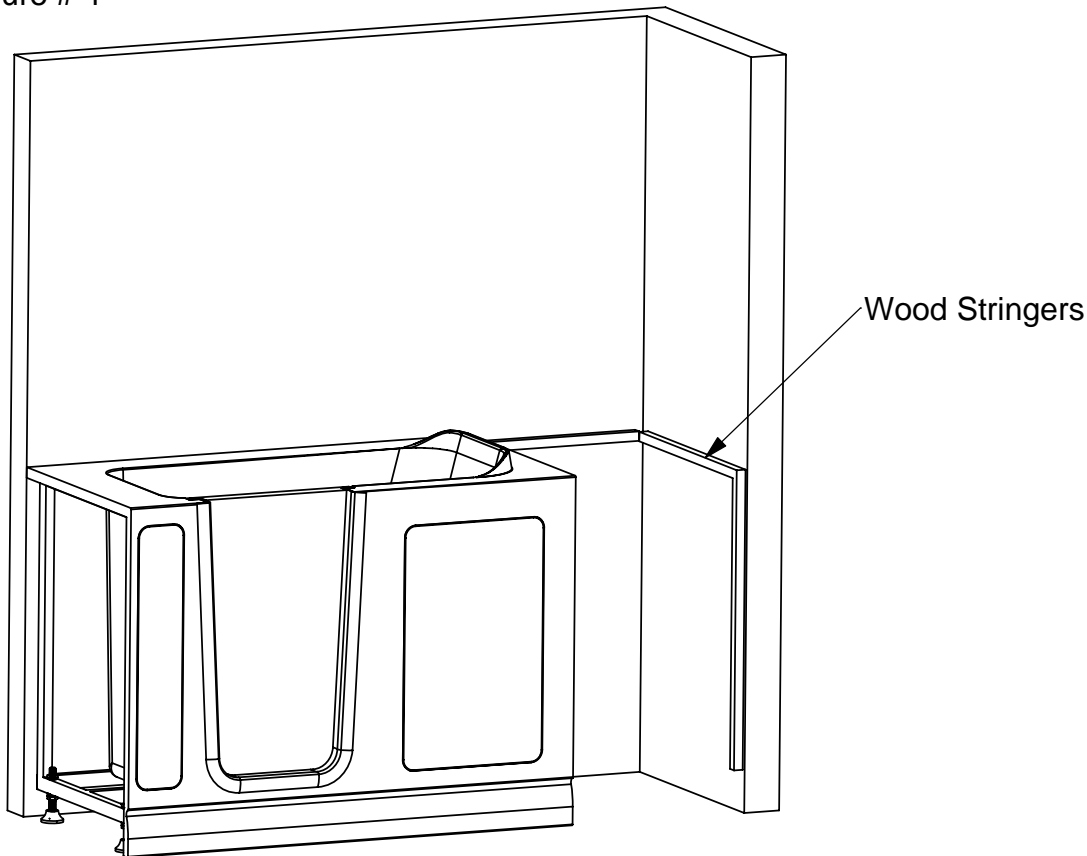


Figure # 4

Step 5

- For finished unit refer to Figure # 5

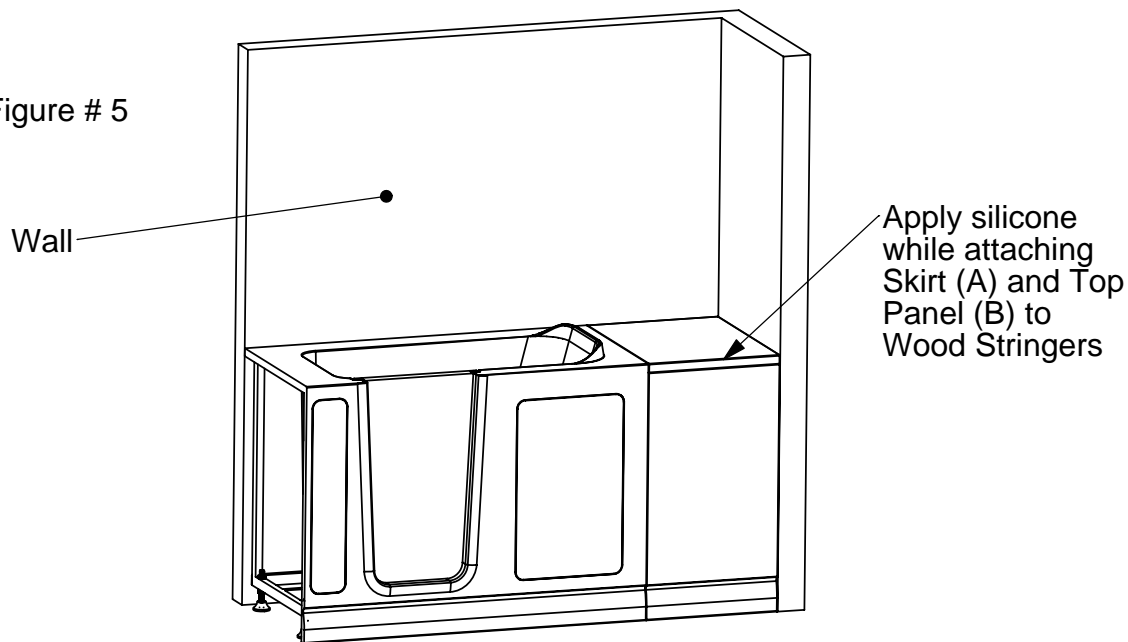


Figure # 5